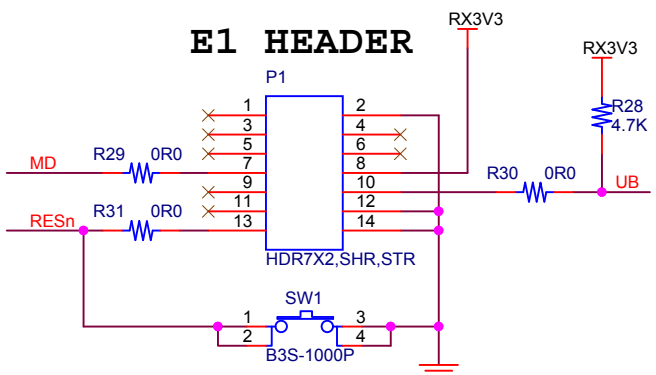
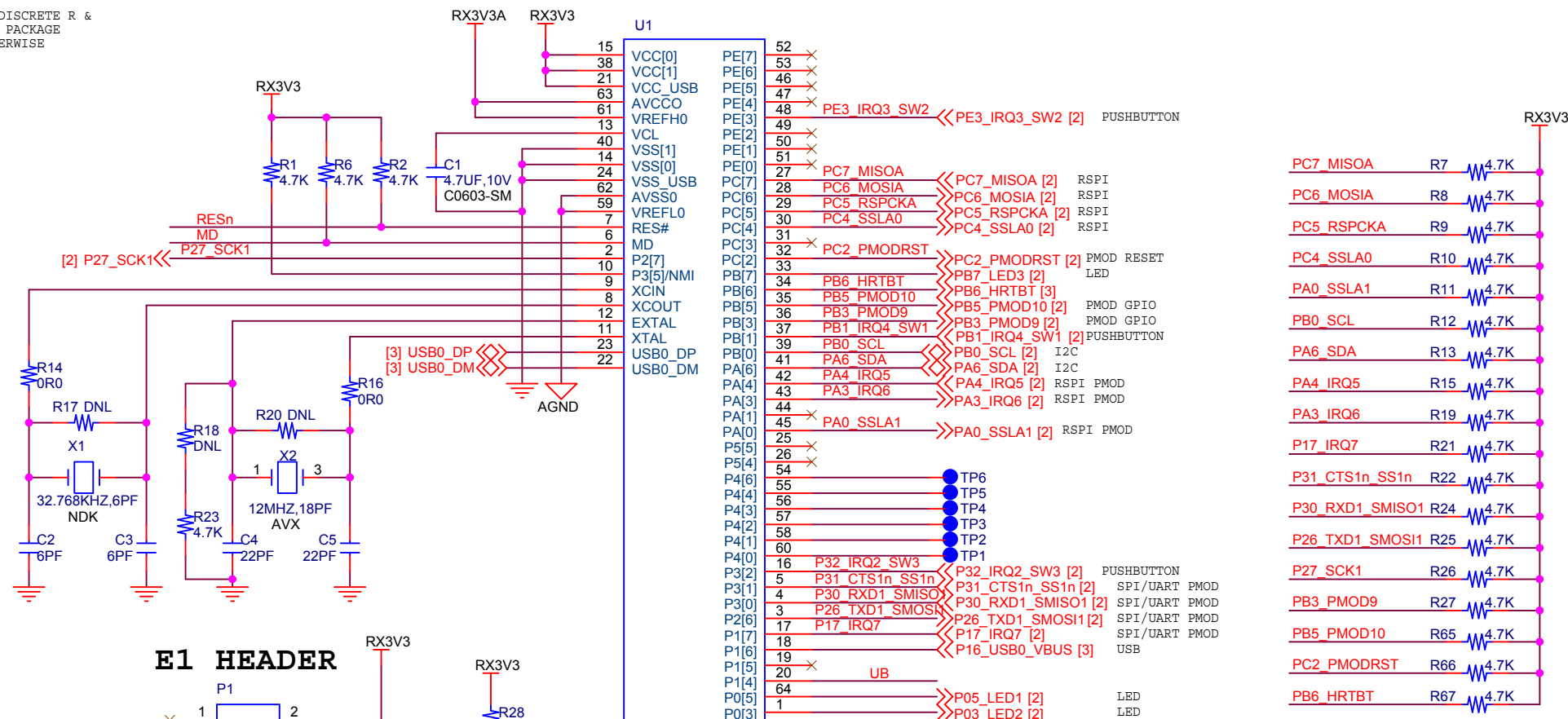
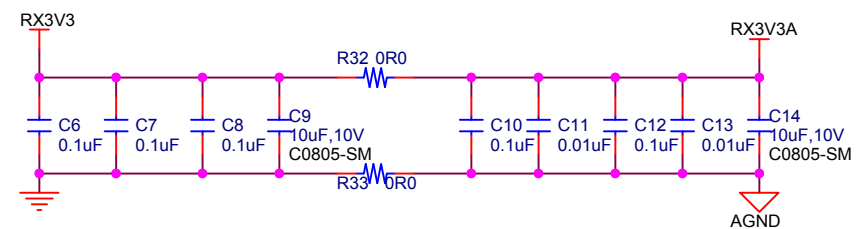


NOTE: ALL DISCRETE R & C ARE 0402 PACKAGE UNLESS OTHERWISE DETAILED



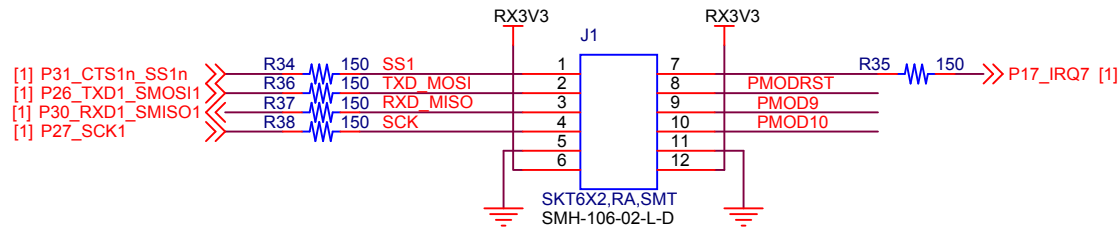
RESET SWITCH



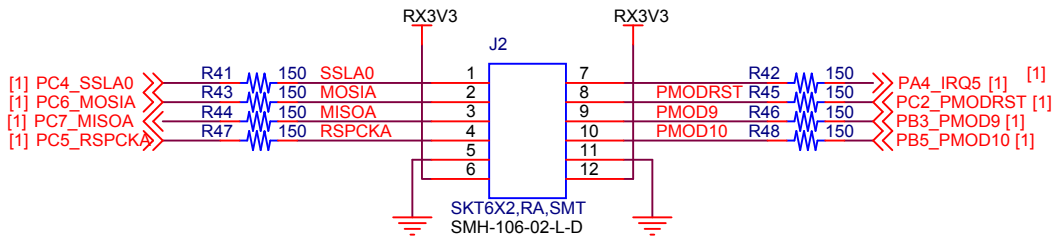
RX111 DECOUPLING



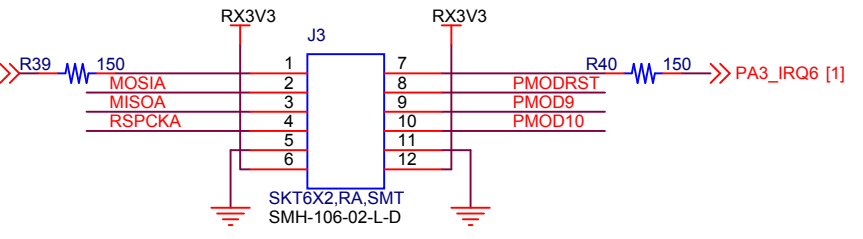
DESIGNED BY: FUTURE DESIGNS, INC.		www.teamfdi.com
Title: RX111 MCU, E1 CONNECTOR		
Size	Document Number	Rev
	YWIRELESS-RX111	1.2
Date:	Monday, July 20, 2015	Sheet 1 of 3



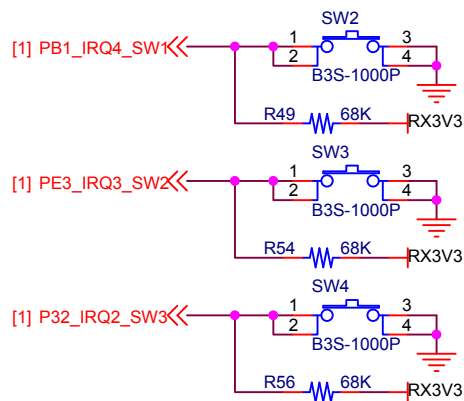
PMOD CONNECTOR
SPI TYPE 2A OR UART TYPE 4A



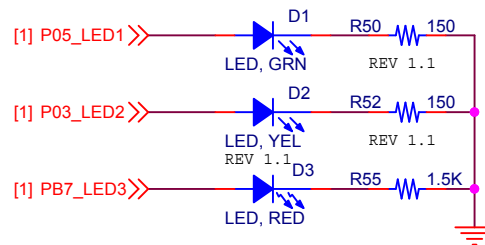
PMOD CONNECTOR (SPI TYPE 2A)



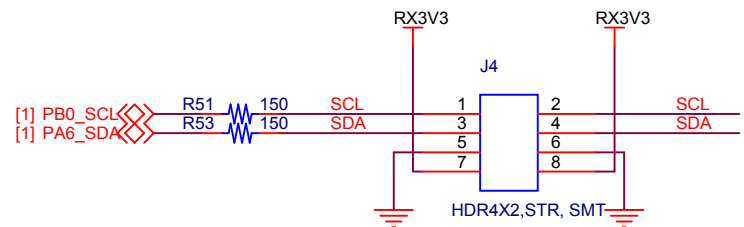
PMOD CONNECTOR (SPI TYPE 2A)



PUSHBUTTONS



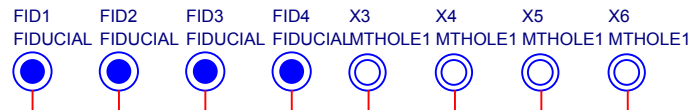
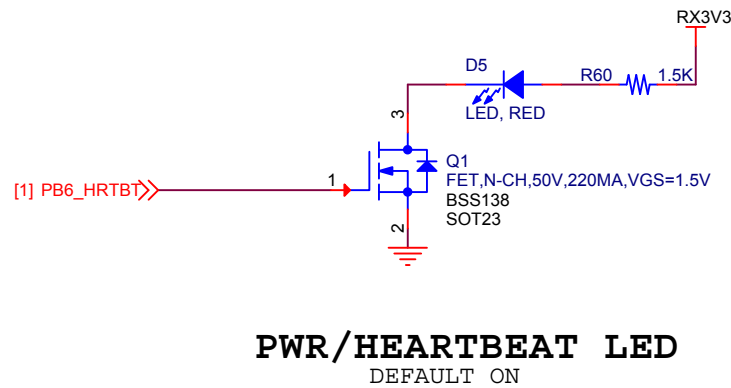
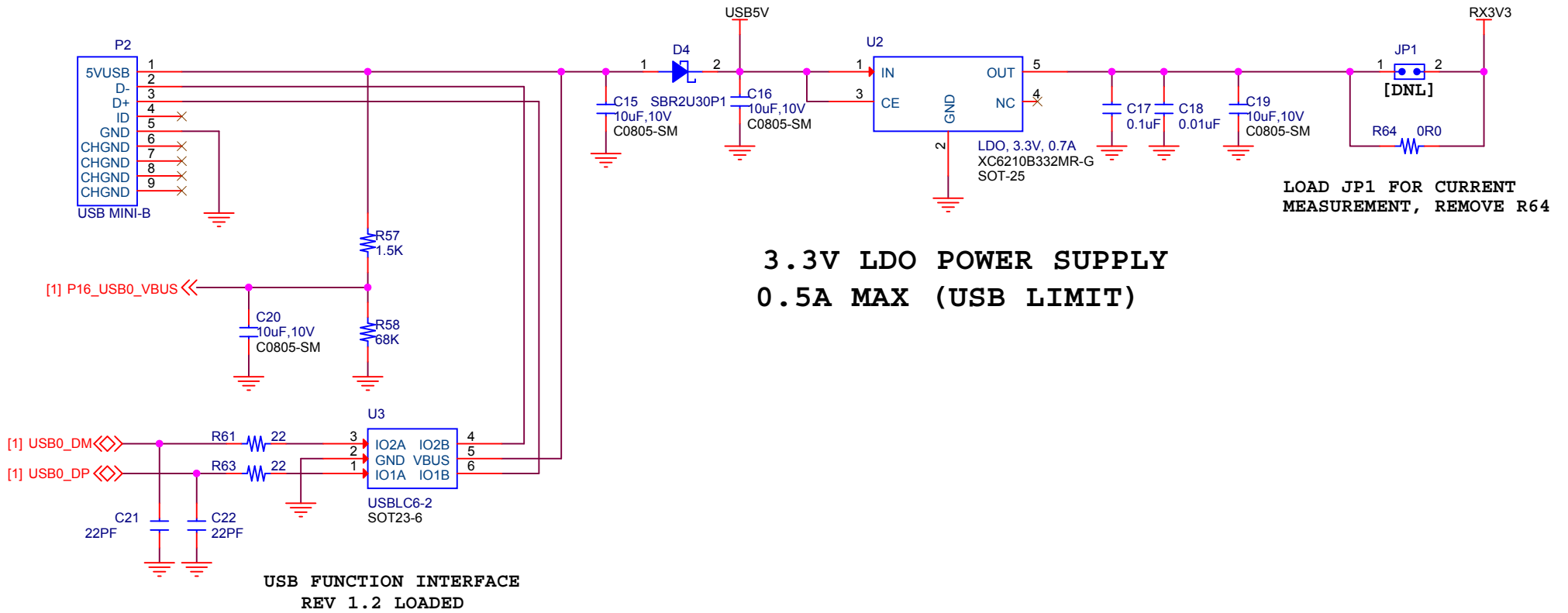
USER LEDS



PMOD I2C
(HEADER)



DESIGNED BY: FUTURE DESIGNS, INC.		www.teamfdi.com
Title PMODS, PUSHBUTTON, LEDS		
Size	Document Number	Rev
	YWIRELESS-RX111	1.2
Date:	Monday, July 20, 2015	Sheet 2 of 3



DESIGNED BY: FUTURE DESIGNS, INC.		www.teamfdi.com
Title USB, DCDC, HEARTBEAT LED		
Size	Document Number YWIRELESS-RX111	Rev 1.2
Date: Monday, July 20, 2015	Sheet 3	of 3